

AD 2000 iQ

Fume Extraction System - Advantage Range

Datasheet

Technical Specification and Product Information

A high-performing system for the most demanding laser applications.

The AD 2000 iQ fume extraction system is the perfect choice for the most demanding laser applications where high-performance extraction is required. The design also allows for greater flexibility of different exhaust installations and configurations.

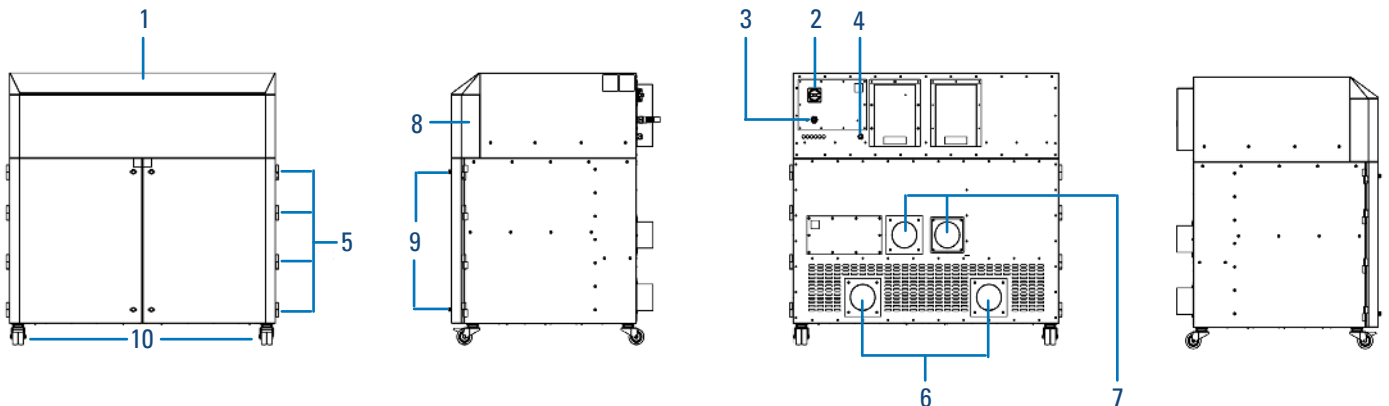
FEATURES

- High contrast display
- Real-time airflow reading
- Remote diagnostics via USB

Approvals: UKCA and CE | cUL | UL*



TECHNICAL SPECIFICATION

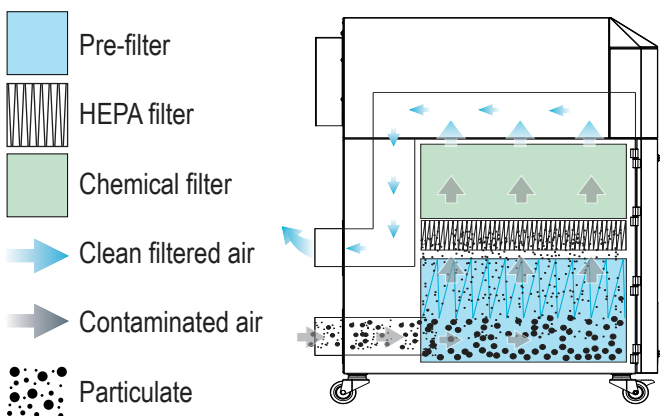


1. Control panel
2. On/off switch
3. Power cable
4. Signal/interface cable
5. Door hinges
6. Hose inlet connections - 4.9" (125 mm)
7. Optional exhaust outlet connections - 4.9" (125 mm)
8. Removable front panel
9. Door latches
10. Castors

TECHNICAL DATA

Voltage	Airflow		Pressure (+/- 10%)	Dimensions (H x W x D)		Weight (+/- 5%)		Noise level**	Frequency	Full load current
	V	cfm		m ³ /hr	mbar	in	mm			
208, 3 Ph	1470	2500	96	50.4 x 53.5 x 39.6	1280 x 1360 x 1005	750	340	< 75	60	L1, L2, L3 18A - N 31.5A
415, 3 Ph										50

AIRFLOW



FILTER SPECIFICATIONS

Model	Surface media area (approx)		Filter efficiency
	ft ²	m ²	
DeepPleat DUO pre-filter	322.8	30	F8 50% @ 0.3 microns
Combined filter (HEPA)	80.7	7.5	99.995% @ 0.3 microns

Values above show surface area per filter. Totals below:

2 x DeepPleat DUO pre-filters 645.6 ft² (60 m²)

2 x Combined filters (HEPA) 161.4 ft² (15 m²)

Model	Activated carbon volume
	ltr
Combined filter (gas)	53.7

Value above show activated carbon volume per filter. Total below:

2 x Combined filter (gas) 107.4 ltrs

PART NUMBERS - FILTERS

Twin pack DeepPleat DUO pre-filters	Twin pack combined filters
1UA1030336	1UA1030335

Datasheet correct at time of publishing. Where applicable, the carbon used in Donaldson BOFA systems is capable of removing a wide range of VOCs, however it is the responsibility of the user to ensure the carbon is suitable for their application. For specific applications, please contact us for details.

Important Notice

Many factors beyond the control of Donaldson can affect the use and performance of Donaldson products in a particular application, including the conditions under which the product is used. Since these factors are uniquely within the user's knowledge and control, it is essential the user evaluate the products to determine whether the product is fit for the particular purpose and suitable for the user's application. All products, product specifications, availability and data are subject to change without notice, and may vary by region or country.



Approvals: REACH and RoHS. See individual product technical data for specific accreditations.



Donaldson BOFA

UK & ROW

Tel. +44 (0) 1202 699 444
Email. bofasales@donaldson.com
Web. donaldsonbofa.com

Germany

Email. bofavertrieb@donaldson.com

USA

Tel. +1 (618) 205 5007
Email. bofasalesus@donaldson.com

ENG (December 2024) Donaldson BOFA AD 2000 IQ Datasheet. ©2011-2024 Donaldson Company, Inc. Donaldson, Torit, Dalamatic, Delta P, Delta P Plus, Downflo, Dura-Life, Easy Duct, PowerCore, Synteq XP, Ultra-Web, Unimaster and the color blue are marks of Donaldson Company, Inc. All other marks belong to their respective owners.

PART NUMBERS - SYSTEM

Description	Part number
Powder-coated, 415 V 3 Ph No options	1U30811506-1537
Powder-coated, 415 V 3 Ph 24 V S/S, SOK, Exhaust spigot	1U645812006-1537
Powder-coated, 415 V 3 Ph 24 V S/S, SOK, O/R and Exhaust spigot	1U4665812006-1537

CUSTOMIZATIONS

Options

Remote stop/start signal (S/S)
System OK signal (SOK)
Override (O/R)
VOC sensor

Cabinet construction

Powder-coated mild steel (RAL7016)

*UL: Tested to UL standards, but testing may be provided by alternate nationally recognized test laboratories. Certain product configurations may affect the UL certification. Please speak to your sales representative.

** Noise level: At typical operating speed.